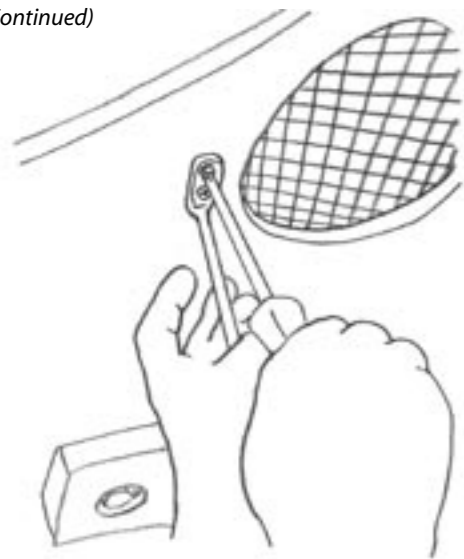


Mini-Grande Digital Piano HG-425e

4. PEDAL ATTACHMENT

(Continued)



E. Attach the pedal support rods to the piano bottom. Find the pre-drilled holes on either side of the speaker. Use the remaining 4 Phillips screws.

5. INSTALLING THE LEFT LEG



A. Make a thick pad by folding a blanket or quilt in quarters. Place it so the pedal assembly will land on it. Using 2 or 3 persons, lift the piano and pivot onto the pad.



B. With one person holding the piano in position, go under the piano and install the left leg as shown in steps A & B in Section 3, "Attaching the Legs to the Piano." Next, lift the piano and remove the thick pad.

6. POSITIONING YOUR NEW GRAND PIANO



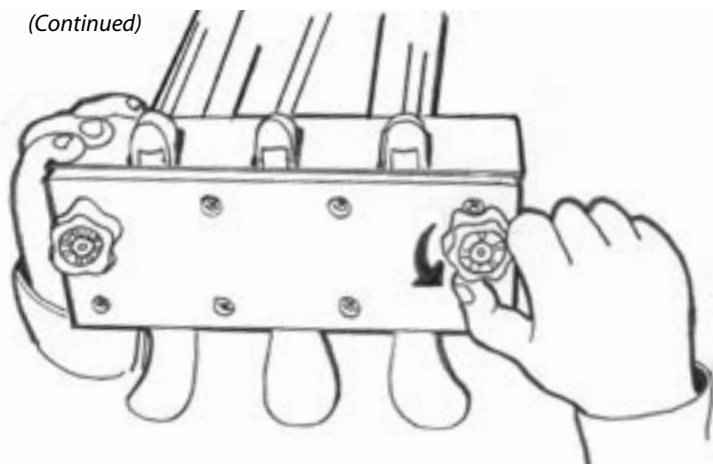
WARNING:
When positioning the piano in your home it is recommended that you carry it to the final position. The solid brass casters may be damaged by rough surfaces and the casters may damage some flooring surfaces like hardwood or tile.



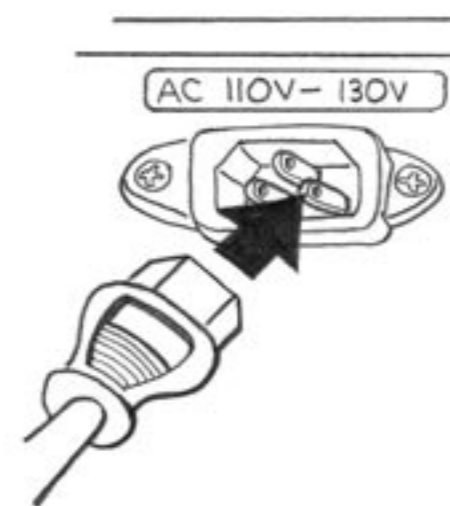
WARNING: DO NOT PUSH PIANO!
Do not roll the piano on its caster wheels. The legs and pedal assembly may catch on irregular flooring surfaces like door thresholds and soft to hard flooring surfaces. This may cause the legs to break!

6. POSITIONING YOUR NEW GRAND PIANO

(Continued)



A. Adjust the Pedal Feet:
With your piano placed in its final position, reach under the pedal box and adjust the pedal feet down to firmly contact the floor by turning the knob counter clockwise as shown.



B. Install the Power Cord:
Install the power cord (E) into its receptacle on the bottom left of the piano.

- Connect the male end to an appropriate wall receptacle.
- Please refer to the piano owner's manual for piano operation.

ENJOY YOUR NEW SUZUKI GRAND PIANO!



STOP!

DO NOT ASSEMBLE YOUR PIANO BEFORE READING THIS GUIDE!

IF YOU HAVE ANY QUESTIONS OR PROBLEMS,
DO NOT CALL OR RETURN PRODUCT TO THE STORE
Visit our web site at www.SuzukiMusicIndia.com for further assistance.



1. UNPACKING YOUR NEW GRAND PIANO



To lay box flat, the full color poster side goes up ONLY.



C. Remove Protective Foam:

- Remove all the protective foam taped around the outside of the inner carton as shown (arrows).
- Be careful to support the piano box from this point on. The box is tall and narrow and could fall over if not supported.

D. Inner Carton:

- Locate the back of the inner carton. It is marked with a sticker.
- Use a SMALL knife to slit the center, top and bottom tape.
- Remove the foam pieces as shown. This will reveal the bottom of the piano.
- Do not open the front of the inner carton. That will expose the top of the piano.

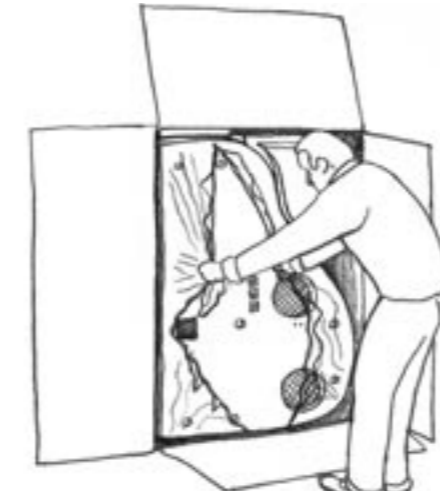


E. Piano Accessories:

- Remove the accessories listed below from the foam and set aside.

Accessories:

- | | |
|--------------------------|-----------------------------|
| 1. Instruction Manual | 6. Demonstration Disks |
| 2. Play-Along Songbook | 7. Quick Start User Guide |
| 3. Microphone & Cord | 8. Assembly Guide |
| 4. Karaoke Cable | 9. Polish & Polishing Cloth |
| 5. Lesson Book with Disk | |



F. Plastic Cover:

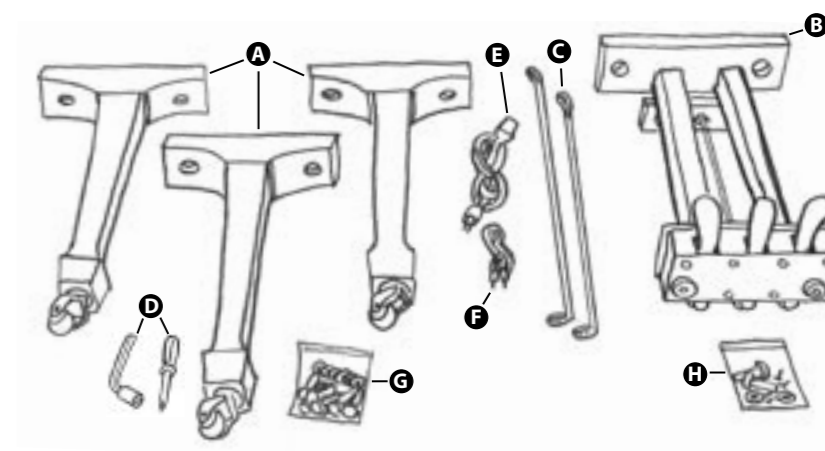
- Tear the plastic covering away from the piano bottom as shown.
- It is not recommended you use a knife or sharp object to remove the plastic. You are very close to the high gloss finish at this stage of unpacking.

2. UNPACKING PIANO LEGS & PEDAL ASSEMBLY



A. Get the Medium Sized box labeled "Grand Pedal/Grand Leg."

- Carefully slit the tape and open the box as shown.
- Lift out all the parts inside this box and gently remove the protective plastic covering. Set aside on a soft surface.
- You are handling the high gloss lacquer finish during this procedure. Be careful not to scratch or hit these parts against each other or let them come in contact with any other items.



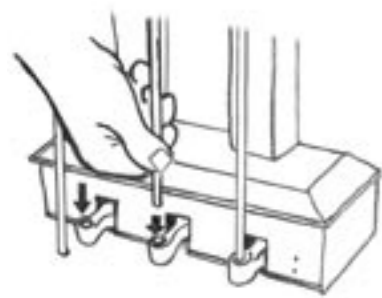
B. Parts and Pieces:

After you have completed unwrapping everything, here is what you should have:

- 3 Piano Legs
- 1 Pedal Assembly
- 2 Brass Support Rods
- 1 Wrench and Screwdriver
- 1 Power Cord
- 1 Accessory Cord
- 1 Bag of Bolts with: 6 long bolts, 6 washers
- 1 Bag of Bolts with: 2 short bolts, 2 washers, 8 screws

2. UNPACKING

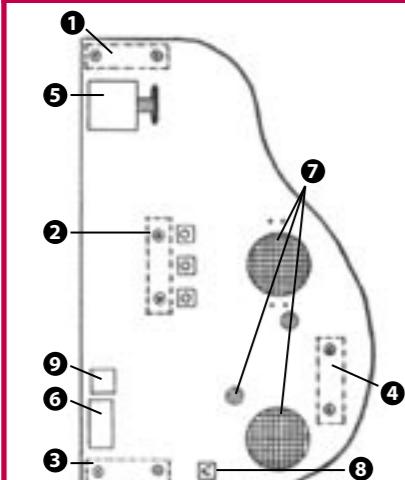
(Continued)



C. Control Rod Position:

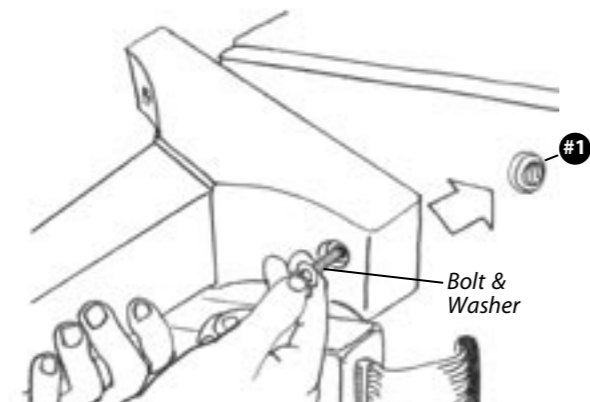
During unpacking, these 3 brass rods sometimes come out of position. Simply re-position the rods back in their rubber grommet holes as shown.

3. ATTACHING THE LEGS TO THE PIANO



A. Assembly Positions:

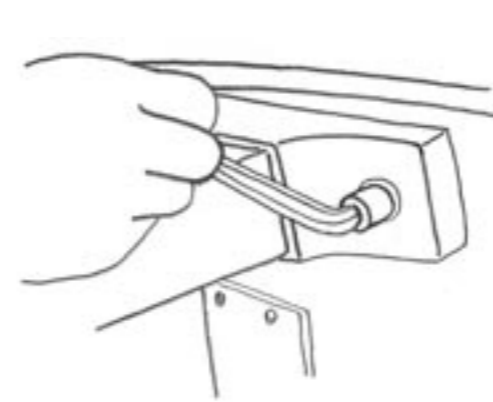
- You will see the following areas on the bottom of your piano:
- Right Piano Leg Position
 - Pedal Assembly Position
 - Left Piano Leg Position
 - Back Piano Leg Position
 - Disk Drive
 - Connections
 - Speakers
 - Power Chord Input
 - Serial Number



B. Install the Right Leg:

Install the Right Leg at the top of the piano.

- Take one of the piano legs (A) and line it up to position #1.
- Use the longer bolts and washers in bag (G).
- Loosely thread both bolts and washers in the threaded lugs. Then tighten completely.
- Again, be careful not to push the piano over when attaching the legs and pedal assembly.
- Handle the high gloss lacquer finish carefully.
- Do not install the piano leg at the bottom of the piano at this point.



C. Tighten the Bolts:

Tighten both bolts using the wrench provided (D) or a 3/4" socket wrench as shown.

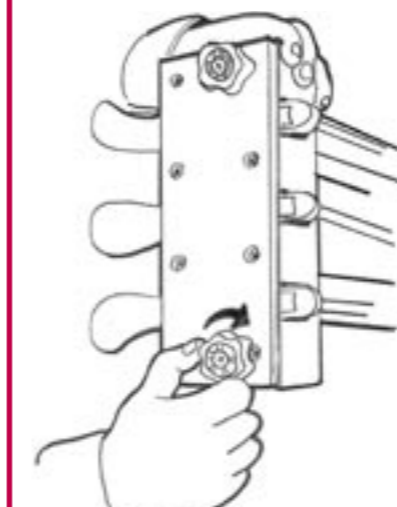


D. Install the Back Leg:

Install the back piano leg in position #4 as shown in "Assembly Positions." Use the same procedure as steps B & C.

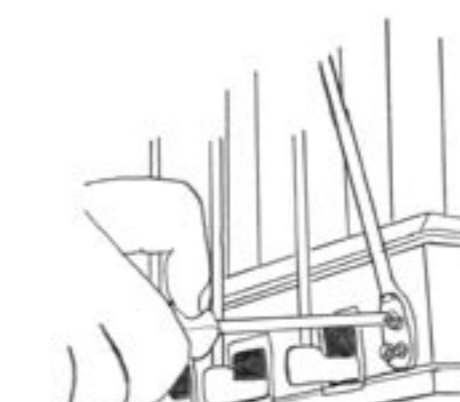
- So far you have attached 2 of the 3 legs. This is correct. The third leg will be attached later.

4. PEDAL ASSEMBLY ATTACHMENT



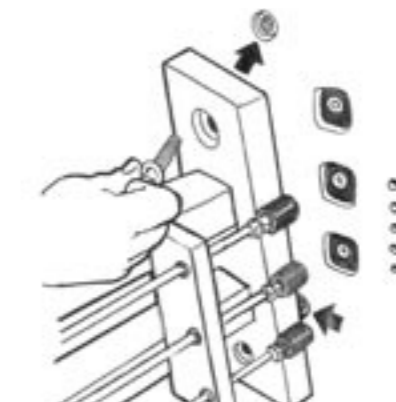
A. Pre-Pedal Assembly:

- Tighten both knobs on the bottom of the pedal assembly clockwise as shown, until they are as close to the pedal board as possible.
- After your piano has been placed in its final position, these 2 knobs will be adjusted down to stabilize the pedals.



B. Pedal Assembly Preparation:

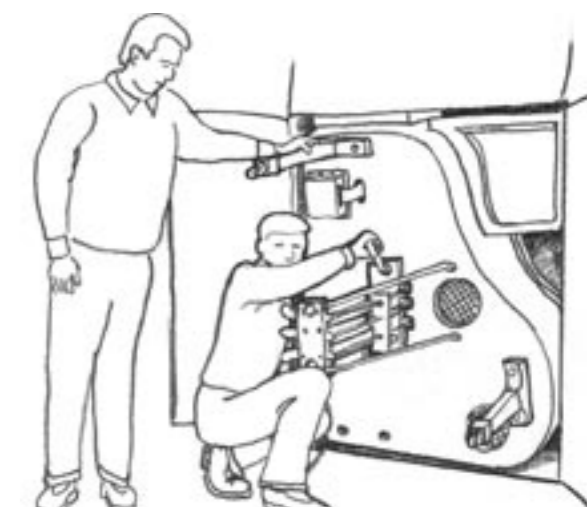
- Locate the 2 brass support rods (C).
- The ends of these rods have 2 different angles. One angle is very gentle, the other is more sharp.
- Using the gentle angle, attach the 2 supporting rods using the screws (H) with screwdriver (D) to the back of the pedal assembly as shown. Tighten securely.



C. Pedal Assembly Attachment:

The pedal assembly attaches to the 2 threaded lugs as shown above. Also pictured are 3 square holes for the pedal rods. Thread the 2 shorter bolts with washers (H) into the lugs and tighten. While tightening, make sure the 3 pedal rods are positioned at the 3 square holes.

When you have finished tightening the pedal assembly, there may be a space between the 3 pedal rods and the top of their 3 square position holes. This is normal. They do not fit tightly against the piano bottom.



IMPORTANT!

- Remember! It is important that one person hold the piano while the other person performs the installation functions. Be careful not to push or pull the piano over while installing these parts.

(Continued)